

ForPOS



Phoenix Pro

FanFree Pos Terminal



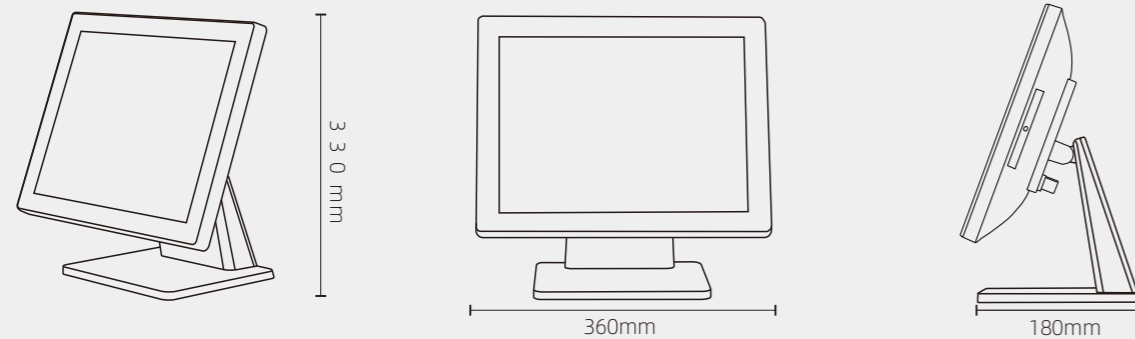
Phoenix Pro

FanFree Pos Terminal

- 15" Industrial-grade LCD with multi-point touch panel;
- Intel Elkhart Lake J6412(10nm), i3/i5 optional
- Customized fan-free motherboard for POS application, stable and energy-saving;
- DDR4 RAM and SATA 2.5" SSD;
- Aluminum Die-casting housing, splashproof and dust-prevent;
- Sleek base with an innovative magnetic cable cover, Logo light optional;
- Standard I/O ports and VESA mount supported
- Modular-design: 2nd Display, MSR, I Button, VFD, Scanner
- Optional for VGA setting via BIOS (J6412 MB)

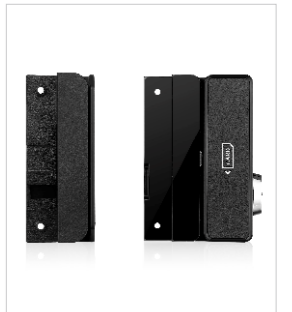


Dimensions



Phoenix Pro Data Sheet

Model Number		Phoenix Pro	
CPU Support		Intel Elkhart Lake J6412 2.0GHz (up to 2.6GHz,1.5MB Cache)	Intel Core i3-6100U 2.3GHz 3MB Cache
System Memory		1 x DDR4,SO-DIMM , 4GB (Max. 32GB)	1 x DDR4, SO-DIMM, 4GB (Max. 16GB) 1 x DDR4, SO-DIMM, 4GB (Max. 16GB)
Storage	SATA	1x 2.5" SATA SSD 128GB (64G/256G optional)	
	mSATA	1x mSATA-SSD(Optional)	
LCD	Size	15" TFT LCD Panel	
	Brightness	350cd/m2 (Typ.)	
	Resolution	1024 x 768	
Touch Screen		True-Flat Projected Capacitive Touch	
Tilt Angle		0 ~ 60 degree	
External I/O Port	USB	4 x USB 3.0 +2 x USB 2.0 Powerd,default setting)	4 x USB 3.0 +2 x USB 2.0 Ports
	Serial port	3 x Serial port (RJ50); (COM1~3: 0/5/12V by pin-JP)	
	VGA	1 x VGA (Power enable by BIOS; +12V)	
	Cash Drawer Port	1 x RJ11,12V(Controls 2drawers Dual Independent Sensor)	1xRJ11,12V
	LAN	1 x LAN (10/100/1000Mb)	
	AUDIO	1 x Mic-In/Speaker-out (Combo Jack)	
	DC-IN	1 x DC In(4PIN)	
	Power Switch	1 x Power Switch	
Speaker		2 x 2W speaker (Optional)	
Base LED		USB,White,95X20X2.8mm (Optional)	
Power		External power adapter, 12V-5A/60W	
EMC Safety		CE, ROHS	
Environment	Operating Temperature	0°C ~ 35°C	
	Storage Temperature	-15°C ~ 60°C	
	Operating Humidity	20% - 85% RH non condensing	
	Storage Humidity	20% - 85% RH non condensing	
OS Support		Windows11/10 LTSC/Ubuntu 18.0.4	Windows10
Carton Dimension (W x D x H)		445mm*310mm*415mm	
Weight (N.W./G.W.)		4.7kg / 6.0kg	
Wall Mount		VESA 100 x 100mm	
Optional	WIFI	mPCI-E WiFi/BT	
	MSR	MSR + iButton (Combo) o r MSR +RFID (Combo) ,USB(VCOM optional) , 1 2 3 Track, ISO7810,7811-1/2/3/4/5,IBM,AAMVA,JIS-2 Standard	
	Scanner	DY3090(USB,1D,2D,Reading precision:=3mil,Dimension:21.4mm*10.8*15.2mm)	
	Customer display	VFD display,USB (VCOM), 2x20 characters	
	2nd Display	VGA, 9.7" (1024*768) VGA, 11.6" (1366*768) VGA, 12.1" (1280*800)	



MSR & COMBO



Single screen



VFD 2x20 characters



9.7" 2nd display

ForPOS



Phoenix Ultra

FanFree Pos Terminal



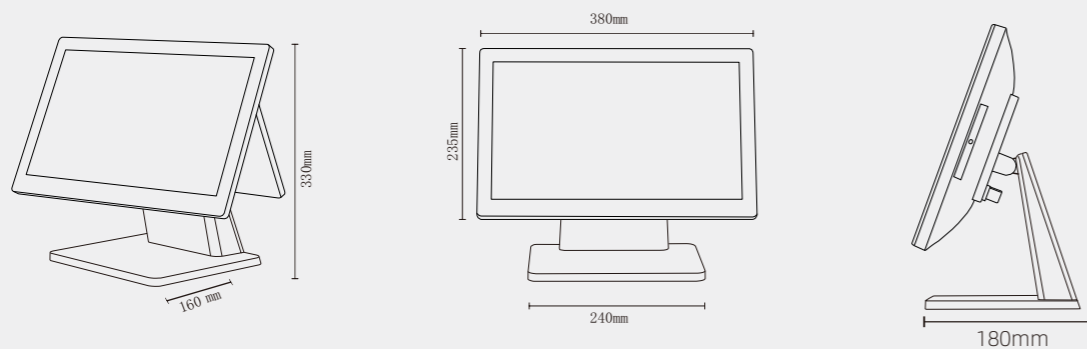
Phoenix Ultra

FanFree Pos Terminal

- 15.6" /16:9 widescreen with PCAP touch screen
- Intel Elkhart Lake J6412(10nm)
- Customized fan-free motherboard for POS application, stable and energy-saving;
- splashproof and dust prevent;
- Sleek base with an innovative magnetic cable cover, Logo light optional;
- Standard I/O ports and VESA mount supported;
- VGA setting via BIOS
- Modular-design: 2nd Display, MSR, Dallas Lock, VFD, Scanner

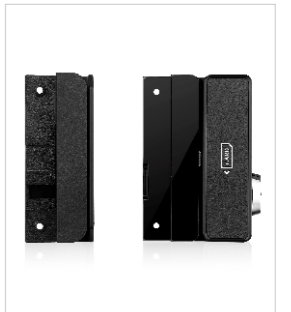


Dimensions



Phoenix Ultra Data Sheet

Model Number	Phoenix Ultra	
CPU Support	Intel Elkhart Lake J6412 2.0GHz (up to 2.6GHz,1.5MB Cache)	
System Memory	1 x DDR4, SO-DIMM, 4GB (Max. 32GB)	
Storage	SATA	1x 2.5" SATA (optional)
	mSATA/M.2	1x mSATA 64G (128G/256G optional)
LCD	Size	15.6" TFT LCD Panel
	Brightness	220cd/m2 (Typ.)
	Resolution	1920 x 1080
Touch Screen	True-Flat Projected Capacitive Touch	
Tilt Angle	0 ~ 60 degree	
External I/O Port	USB	4 x USB 3.0 +2 x USB 2.0 (Powerd,default setting)
	Serial port	3 x Serial port (RJ50); (COM1~3: 0/5/12V by pin-JP)
	VGA	1 x VGA (Power enable by BIOS; +12V)
	HDMI	1 x HDMI Connector(enable by BIOS; VGA Colay)
	Cash Drawer Port	1 x RJ11,12V(Controls 2drawers Dual Independent Sensor)
	LAN	1 x LAN (10/100/1000Mb)
	Audio	1 x Mic-In/Speaker-out (Combo Jack)
	DC-IN	1 x DC In(4pin)
	DC-Out	N/A
	Power Switch	1 x Power Switch
	Speaker	2 x 2W speaker (Optional)
Power	External power adapter,12V-5A/60W	
EMC Safety	CE, ROHS	
Environment	Operating Temperature	0°C ~ 35°C
	Storage Temperature	-15°C ~ 60°C
	Operating Humidity	20% - 85% RH non condensing
	Storage Humidity	20% - 85% RH non condensing
OS Support	Windows11/10 LTSC/Ubuntu 18.0.4	
Dimension (W x D x H)	385mm*200mm*320mm	
Weight (N.W./G.W.)	3.6Kg / 5.3Kg	
Wall Mount	VESA 100 x 100mm	
optional	WiFi	mPCI-E WiFi/BT
	MSR	MSR + iButton (Combo) o r MSR +RFID (Combo) ,USB(VCOM optional) , 1 2 3 Track, ISO7810,7811-1/2/3/4/5,IBM,AAMVA,JIS-2 Standard
	Scanner	DY3090(USB,1D,2D,Reading precision:=3mil,Dimension:21.4mm*10.8*15.2mm)
	Customer display	VFD display,USB (VCOM), 2x20 characters
	2nd Display	VGA, 9.7" (1024*768) VGA, 11.6" (1366*768) VGA, 12.1" (1280*800)



MSR & COMBO



Single screen



9.7"&12.1" 2nd display



15.6" 2nd display



Phoenix Lite

FanFree POS Terminal



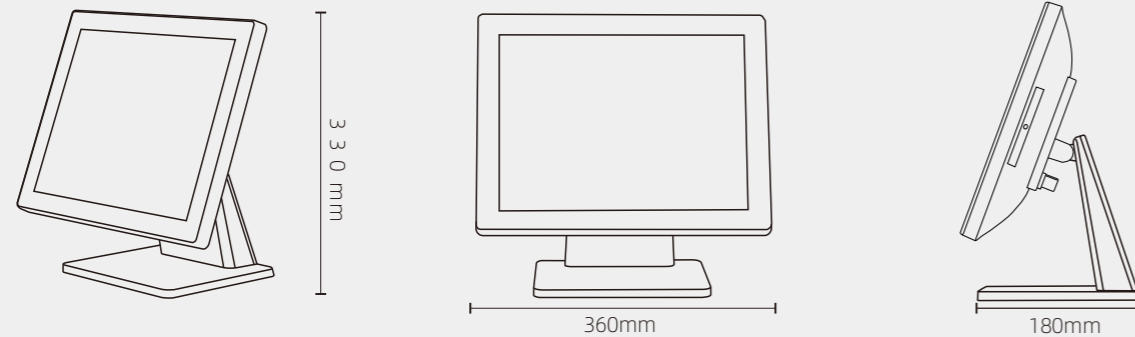
Phoenix Lite

FanFree POS Terminal

- Sleek base with an innovative magnetic cable cover and a LED Logo light(optional)
- Modular-design: 2nd Display, MSR, I Button , VFD, RFID, Barcode/2D Scanner, WiFi
- Cash drawer port optional
- Optional for VGA setting via BIOS
- Multi-layer painting for scratch proof



Dimensions



Phoenix Lite Data Sheet

Model Number		Phoenix Lite
CPU Support		Intel E3950 1.6GHz (up to 2.0GHz,2MB cache),Fan free
System Memory		DDR4, 4GB Onboard
Storage	mSATA/M.2	1 x M.2 SSD 128GB (64G/256G optional)
LCD	Size	15" TFT LCD Panel
	Brightness	300 cd/m2 (Typ.)
	Resolution	1024 x 768
Touch Screen		True-Flat Projected Capacitive Touch
Tilt Angle		0 ~ 60 degree
External I/O Port	USB	4 x USB 3.0
	Serial port	2 x Serial port (RJ50);
	VGA	1 x VGA
	HDMI	1 x HDMI
	LAN	1 x LAN (10/100Mb)
	Audio	1 x Audio, 1x Mic
	DC-In	1 x DC In
	DC-Out	1 x DC-Out(12V VGA power)
	Power Switch	1 x Power Switch
Speaker		2 x 2W Speaker (Optional)
Power		External power adapter, 12V-5A/60W
EMC Safety		CE, ROHS
Environment	Operating Temperature	0°C ~ 35°C
	Storage Temperature	-15°C ~ 60°C
	Operating Humidity	20% - 85% RH non condensing
	Storage Humidity	20% - 85% RH non condensing
OS Support		Windows10
Dimension (W x D x H)		360mm*230mm*340mm
Weight (N.W./G.W.)		4.5Kg / 6.0Kg
Wall Mount		VESA 100 x 100mm
optional	WiFi	m.2PCI-E WiFi/BT
	MSR (USB)	MSR + iButton (Combo) or MSR +RFID (Combo) ,USB(VCOM optional) , 1 2 3 Track, ISO7810,7811-1/2/3/4/5,IBM,AAMVA,JIS-2 Standard
	Scanner	DY3090(USB,1D,2D, Reading precision: 3mil, Dimension: 21.4nn*10.8*15.2mm)
	Customer display	VFD display,USB (VCOM), 2x20 characters
	2nd Display	VGA, 9.7" (1024*768) VGA ,11.6" (1366*768) VGA ,12.1" (1280*800)



MSR & COMBO



Single screen



VFD 2x20 characters



9.7" 2nd display



Phoenix Android

15.6" Android pos Terminal



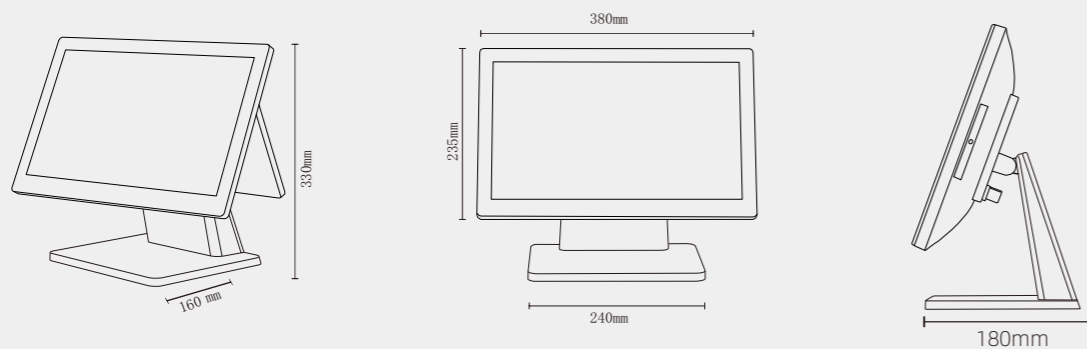
Phoenix Android

Android Touch Screen POS Terminal

- 15.6"/16:9 widescreen with 1920x1080 resolution
- Simple and fashionable design, Aluminum Die-casting base
- Clean cable Management, sleek base with an innovative magnetic cable cover and a LED Logo light(optional)
- Modular-design: 2nd Display, MSR,I Button, RFID, Barcode/2D Scanner, WIFI
- 2nd display has 3 options: 9.7", 11.6", 15.6"
- Standard cash drawer port
- Multi-layer painting for scratchproof



Dimensions



Phoenix Android Data Sheet

Model Number		Phoenix Android
CPU Support		Rockchip3568 ,Cortex-A55 , up to 2.0GHz
System Memory		DDR4,2G(Onboard)
Storage		eMMC 16G + sim card slot x 1
LCD	Size	15.6" TFT LCD Panel
	Brightness	220cd/m2 (Typ.)
	Resolution	1920 x 1080
Touch Screen		True-Flat Projected Capacitive Touch
Tilt Angle		0 ~ 60 degree
External I/O Port	USB	2 x USB 3.0 +2 x USB 2.0
	Serial port	1 x Serial port (RJ12)
	EDP(Mini HDMI)	EDP Signal 2nd Display port
	HDMI	N/A
	Cash Drawer Port	1 x Cash Drawer Port (RJ11)
	LAN	1 x LAN (10/100/1000Mb)
	Audio	N/A
	DC-IN	1 x DC In(4pin)
	DC-Out	N/A
	Power Switch	1 x Power Switch(Power LED)
WiFi&BT		WiFi/BT(Onboard)
Speaker		2 x 2W speaker (Optional)
Power		External power adapter,12V-5A/60W
EMC Safety		CE, ROHS
Environment	Operating Temperature	0°C ~ 35°C
	Storage Temperature	-15°C ~ 60°C
	Operating Humidity	20% - 85% RH non condensing
	Storage Humidity	20% - 85% RH non condensing
OS Support		Android 11.0
Dimension (W x D x H)		385mm*200mm*320mm/package size:445mm*310mm*415mm
Weight (N.W./G.W.)		3.8Kg / 5.5Kg
Wall Mount		VESA 100 x 100mm
optional	MSR	MSR + iButton (Combo) or MSR +RFID (Combo) ,USB , 1 2 3 Track, ISO7810,7811-1/2/3/4/5,IBM,AAMVA,JIS-2 Standard
	Scanner	DY3090(USB,1D,2D,Reading precision:=3mil,Dimension:21.4mm*10.8*15.2mm)
	Customer display	VFD display, USB(VCOM),2x20 characters
	2nd Display	EDP,9.7" (1024 x768) EDP,11.6" (1366 x 768) EDP,15.6" (1920 x 1080)